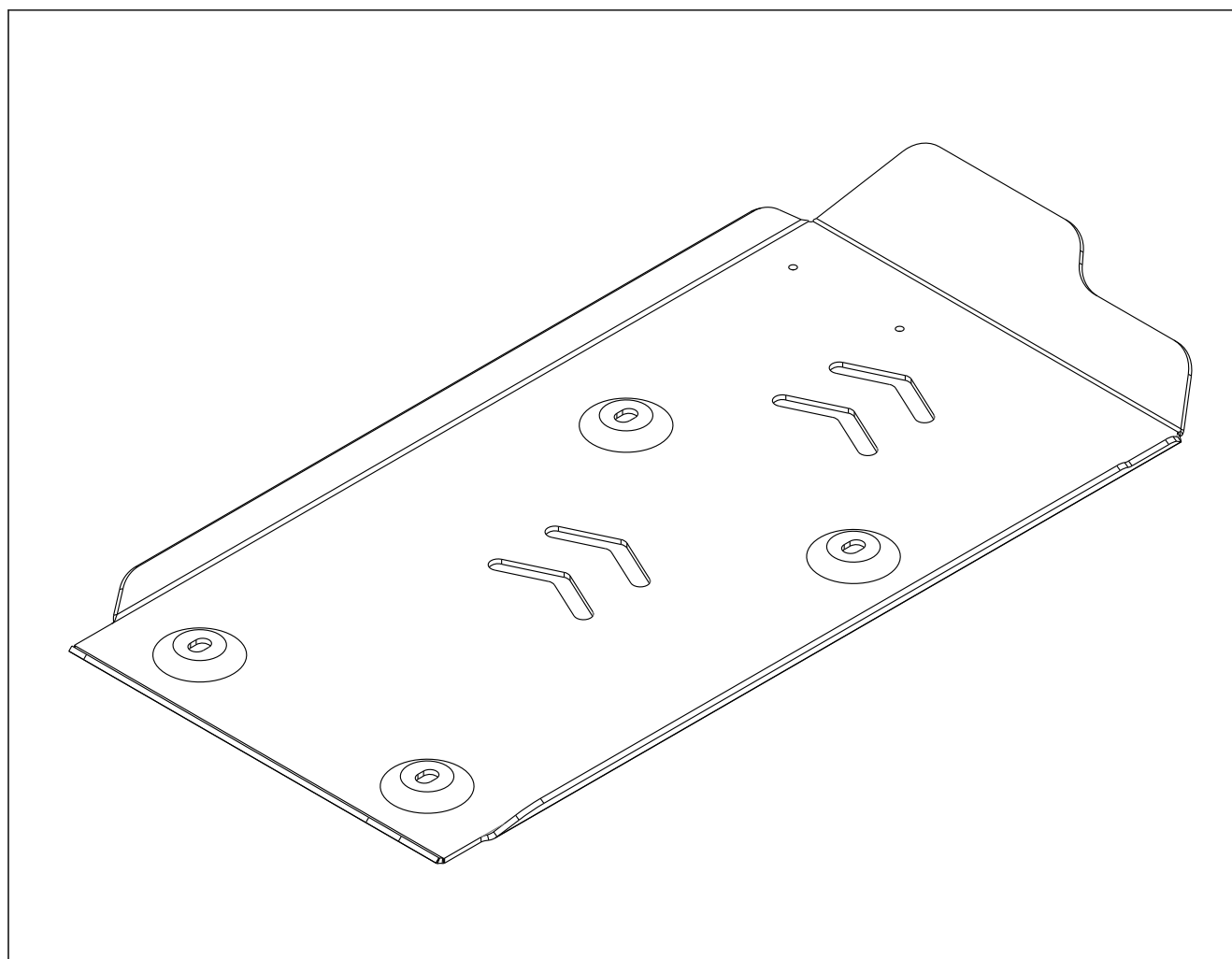
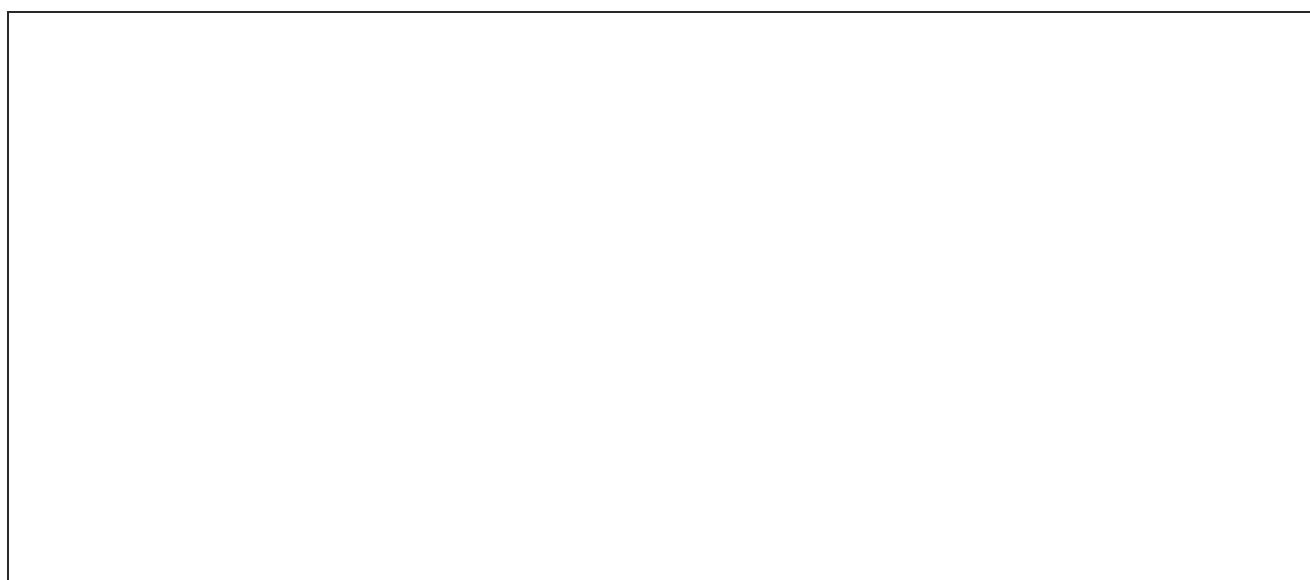
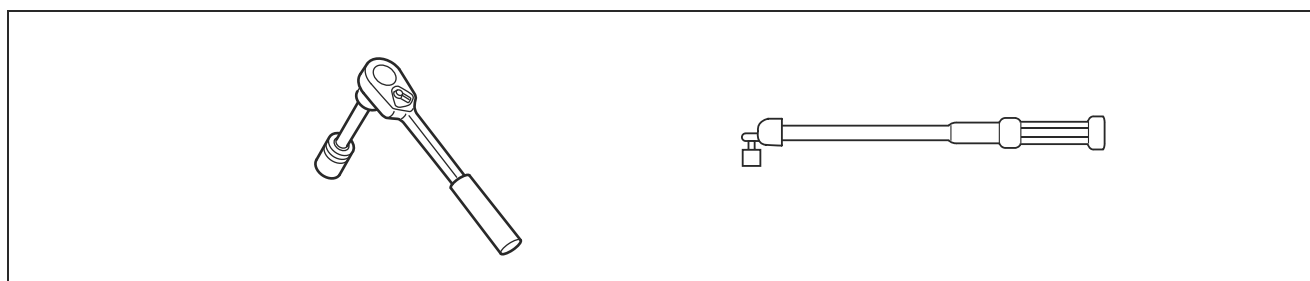
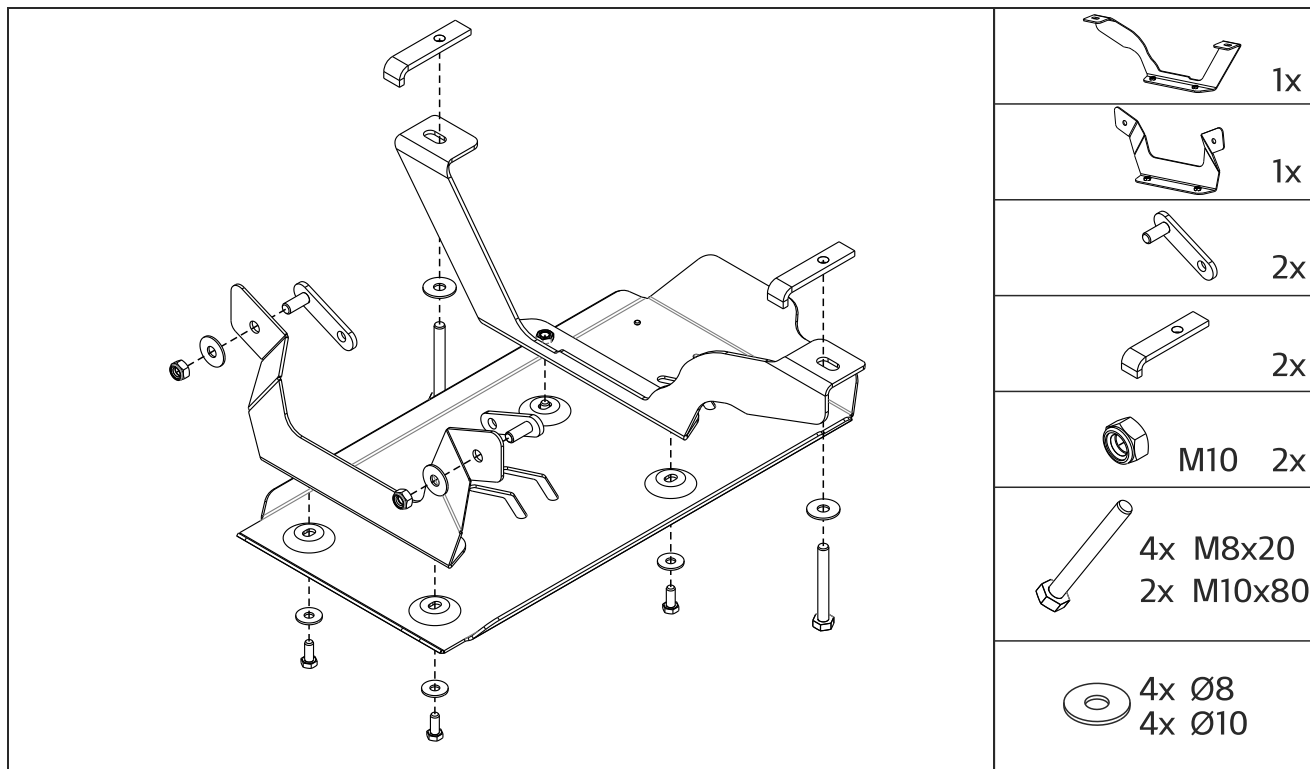


# Hyundai iX35 all 4WD 2010 -

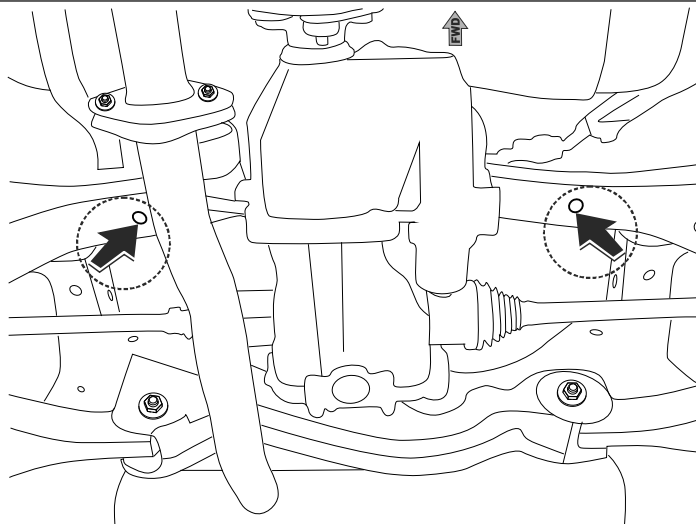
Skid plate for rear differential



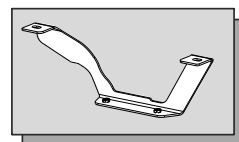
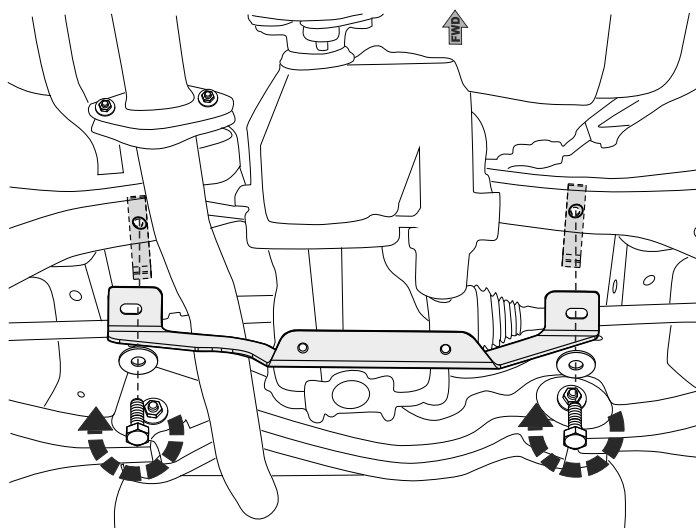
10.2844 / 10.2845



1



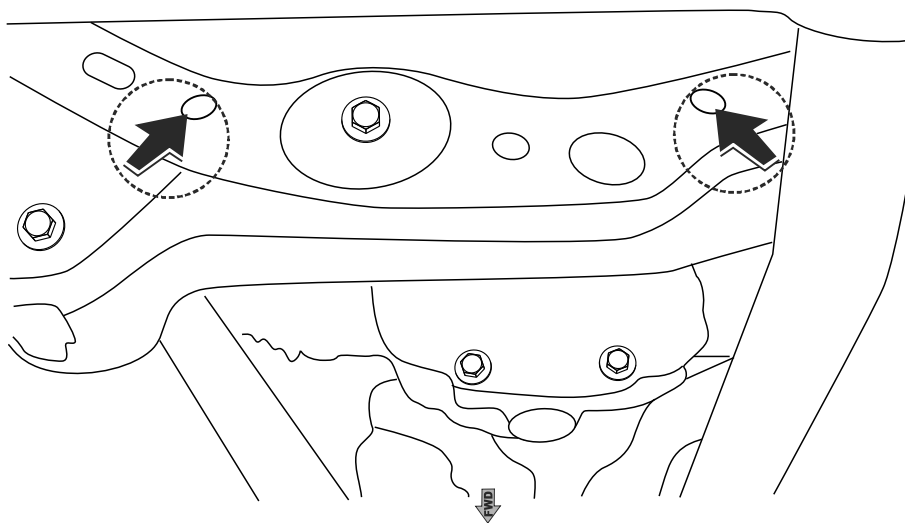
2

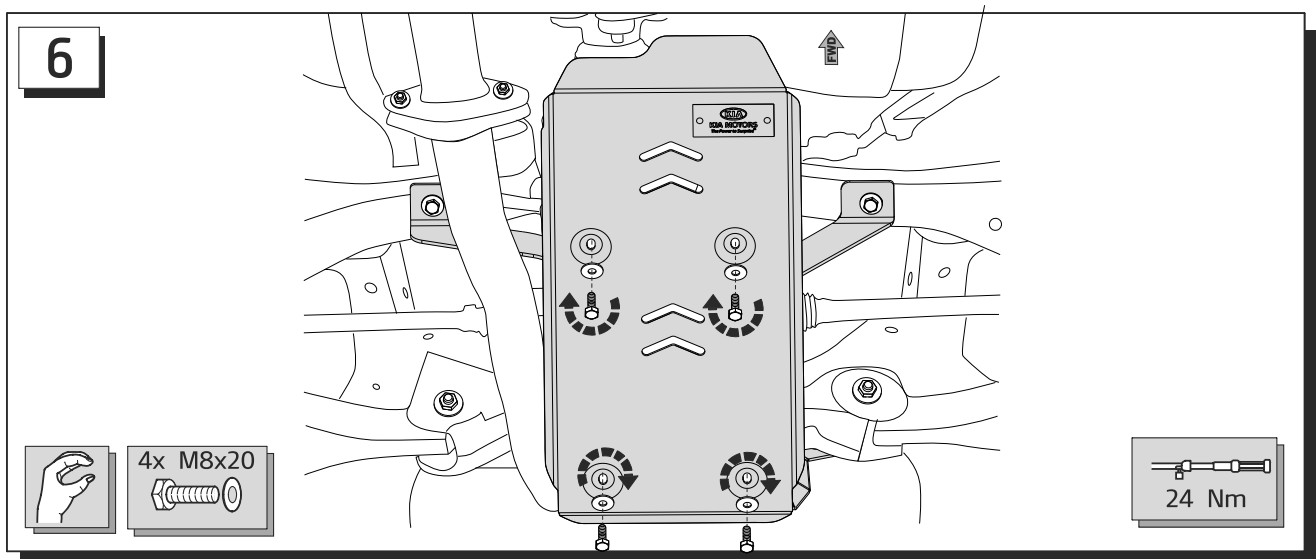
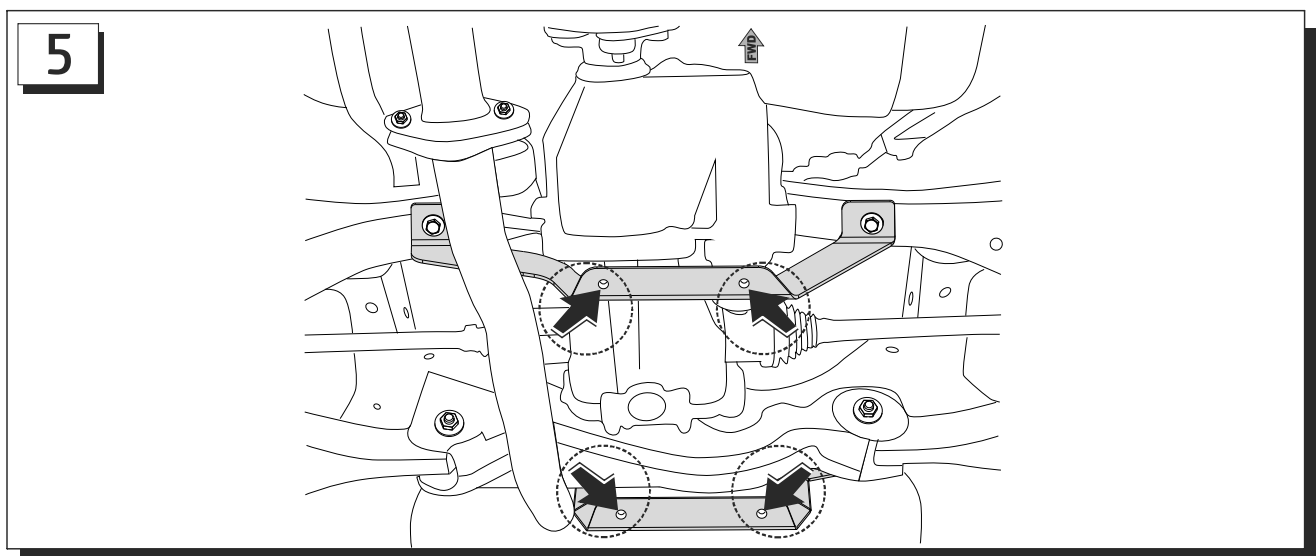
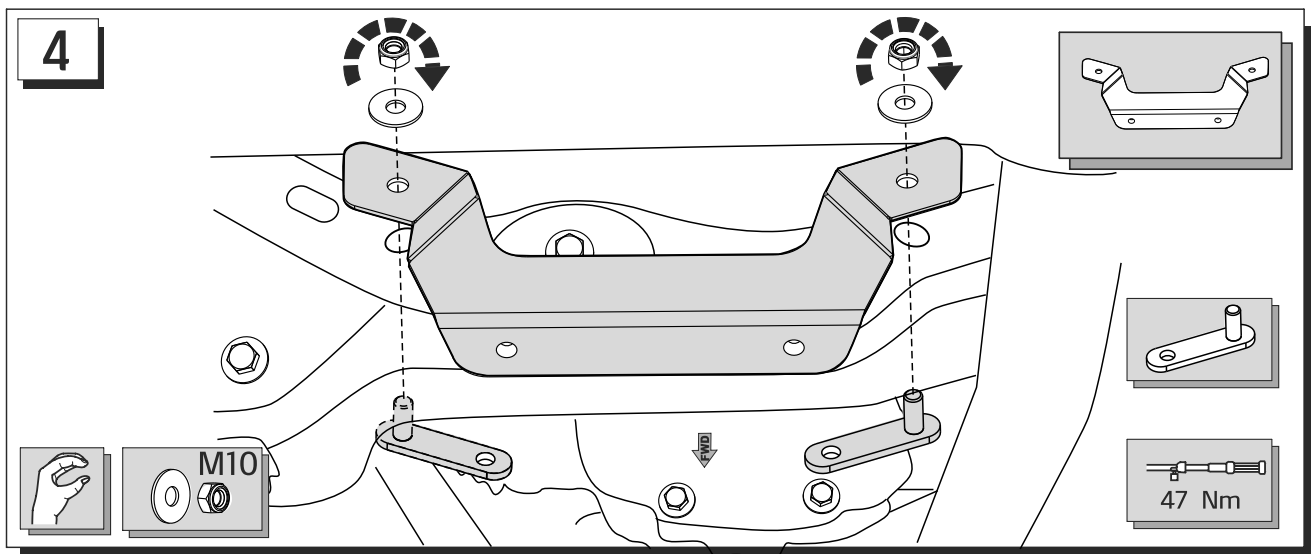


2x M10x80

47 Nm

3





7

