

HYUNDAI

Part name		Part number
Engine undercover		10.1565

Genuine Accessories Installation Instructions



Model application

1,6;2,0

Installation time

30 min

Part number 10.1565		HYUNDAI	Date 01/2011
------------------------	--	----------------	-----------------

HYUNDAI

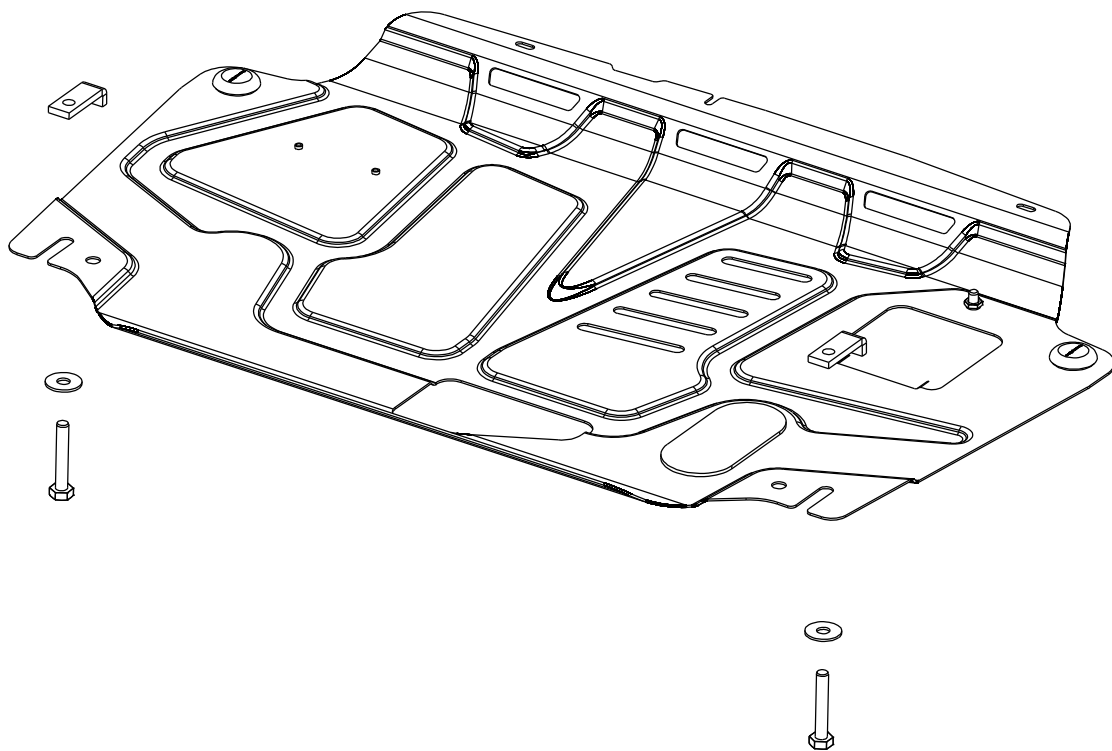
Part number:

10.1565

Model name Elantra IV

GB Fitting instruction: engine undercover

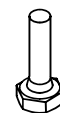
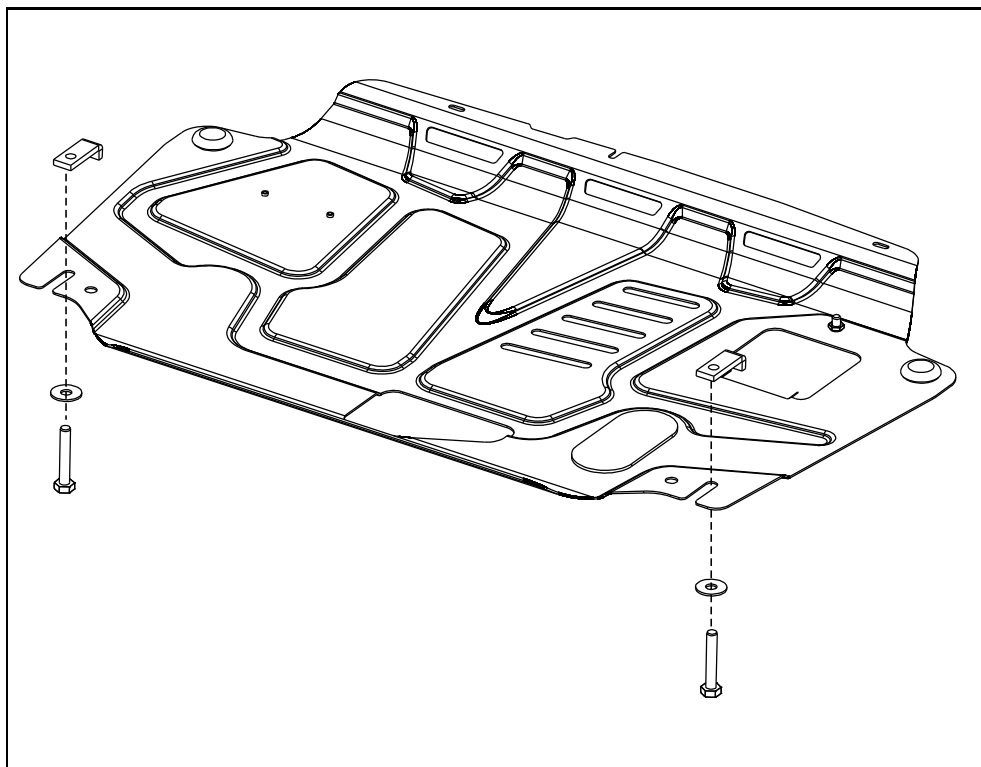
Model year 2006-



Part number
10.1565

HYUNDAI

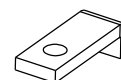
Page
02



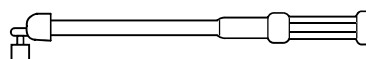
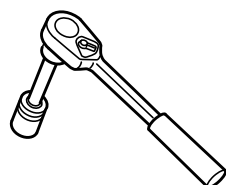
2x M10x60



2x Ø10

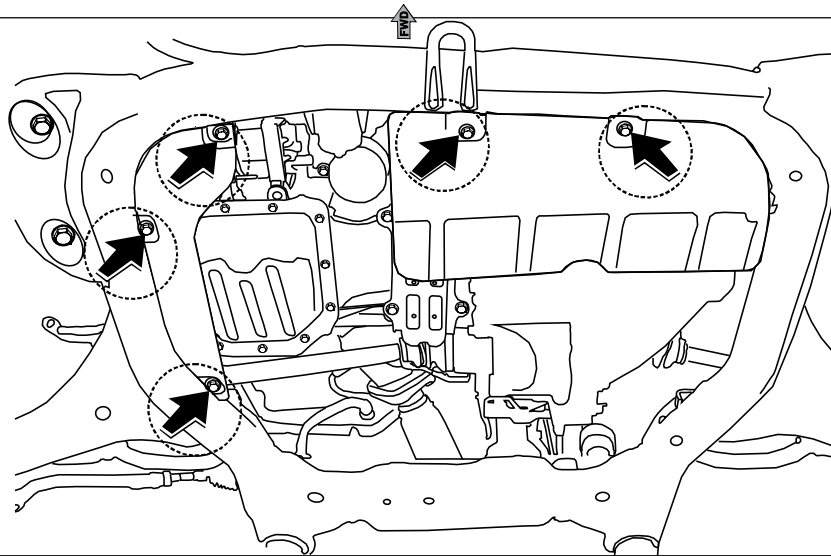


2x

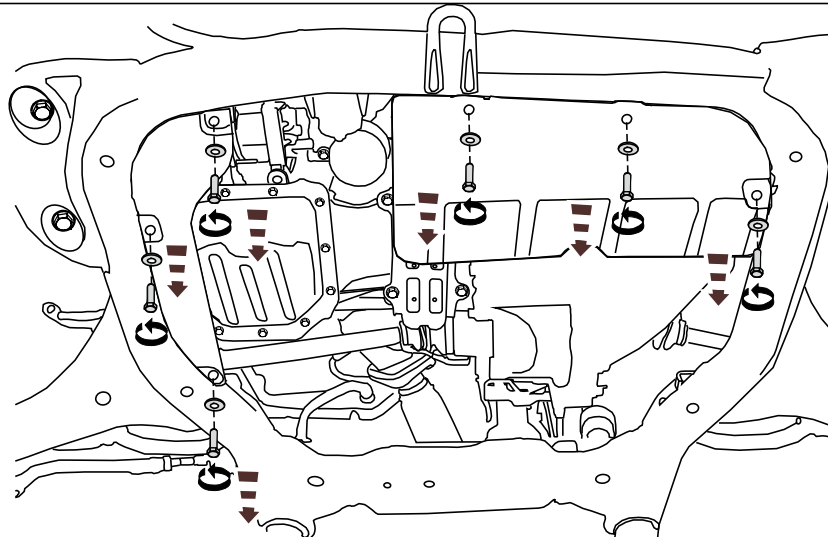


Read this mounting manual carefully, before you start the installation.

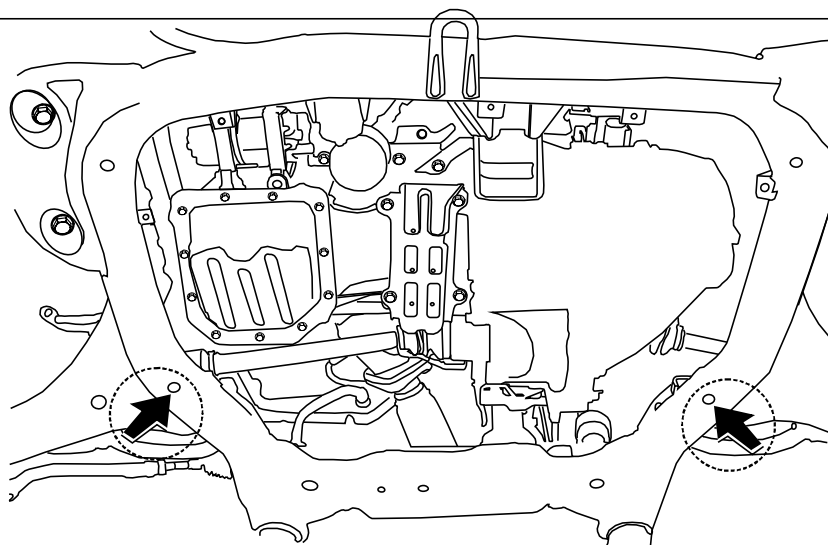
1



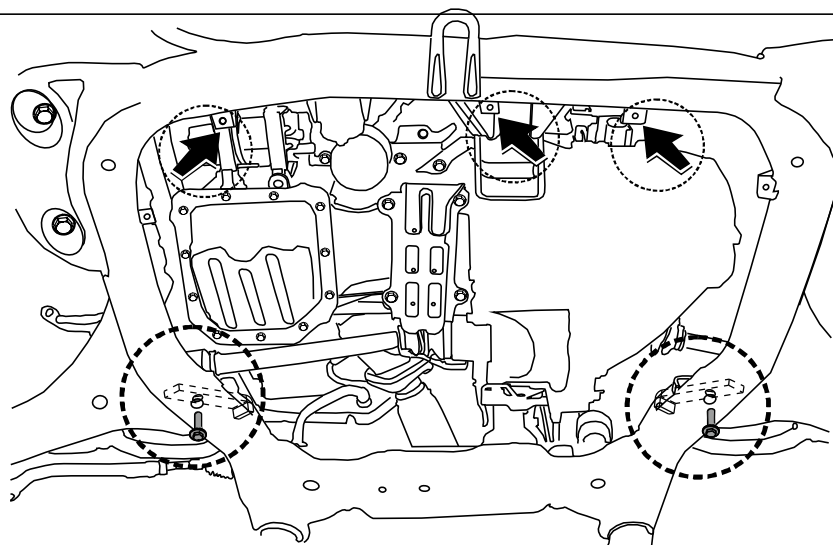
2



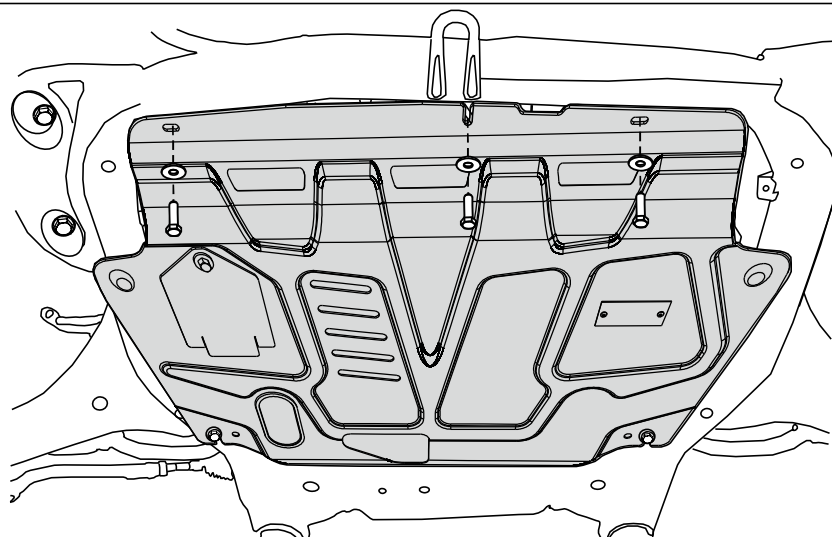
3



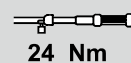
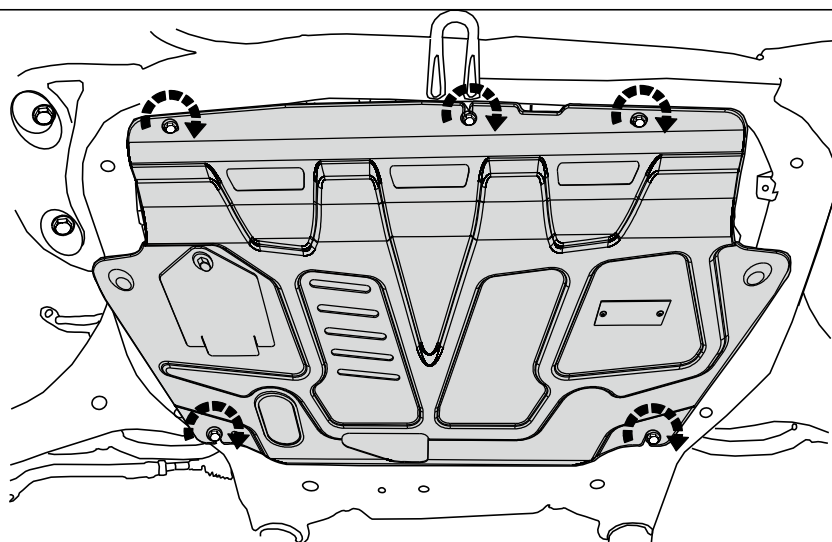
4



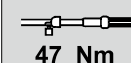
5



6



24 Nm



47 Nm